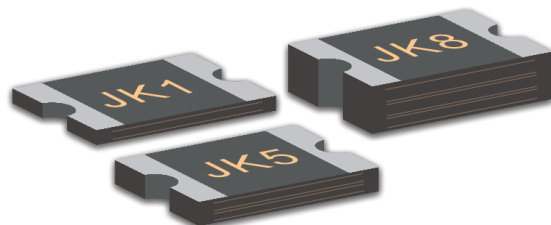


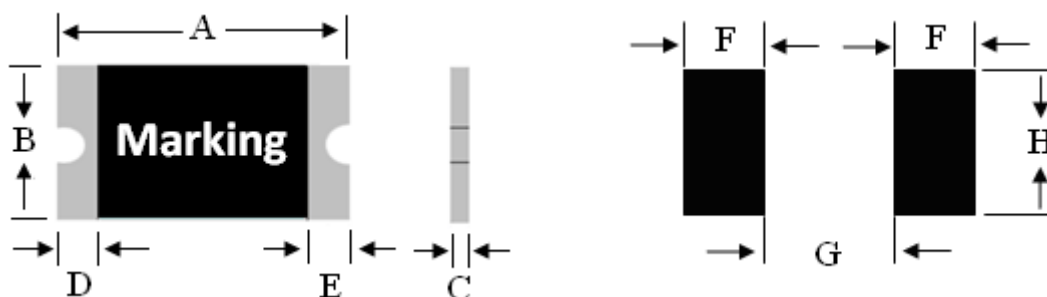
PPTC of JK-mSMD (L) Series Surface-mount Devices

Features:

- ✧ RoHS Compliant & Halogen Free
- ✧ Faster tripping, 1812 Dimension, Surface mountable, Solid state
- ✧ Operating Current: 1.9A~9.0A
- ✧ Maximum Voltage: 6V/12V
- ✧ Operating Temperature: -40°C ~ 85°C
- ✧ Certification: CSA, TUV



Product Dimensions (mm)



Model	Marking	A		B		C		D	E
		Min	Max	Min	Max	Min	Max	Min	Min
JK-mSMD190L	JK1	4.37	4.73	3.07	3.41	0.30	0.70	0.30	0.15
JK-mSMD190L-12	JK1	4.37	4.73	3.07	3.41	0.30	0.70	0.30	0.15
JK-mSMD260L	JK2	4.37	4.73	3.07	3.41	0.40	1.00	0.30	0.15
JK-mSMD260L-12	JK2	4.37	4.73	3.07	3.41	0.40	1.00	0.30	0.15
JK-mSMD300L	JK3	4.37	4.73	3.07	3.41	0.40	1.00	0.30	0.15
JK-mSMD300L-12	JK3	4.37	4.73	3.07	3.41	0.40	1.00	0.30	0.15
JK-mSMD350L	JK3	4.37	4.73	3.07	3.41	0.40	1.20	0.30	0.15
JK-mSMD350L-12	JK3	4.37	4.73	3.07	3.41	0.40	1.20	0.30	0.15
JK-mSMD400L	JK4	4.37	4.73	3.07	3.41	0.40	1.20	0.30	0.15
JK-mSMD400L-12	JK4	4.37	4.73	3.07	3.41	0.40	1.20	0.30	0.15
JK-mSMD450L	JK4	4.37	4.73	3.07	3.41	0.4	1.40	0.3	0.15
JK-mSMD450L-12	JK4	4.37	4.73	3.07	3.41	0.4	1.40	0.3	0.15
JK-mSMD500L	JK5	4.37	4.73	3.07	3.41	0.5	1.40	0.3	0.15

Shenzhen Jinrui Electronic Material Co., Ltd

TEL: +86-(0)755-26546327 29356619

Website: <http://www.jkpptc.com>

Add: Jinke Industry Park, No.310,Wuhe Road,Guanlan,Longhua District,Shenzhen,Guangdong,China.

Specifications are subject to change without notice !

FAX: +86-(0)755-26546562

E-mail: 1492037589@qq.com



Model	Marking	A		B		C		D	E
		Min	Max	Min	Max	Min	Max	Min	Min
JK-mSMD500L-12	JK5	4.37	4.73	3.07	3.41	0.5	1.40	0.3	0.15
JK-mSMD550L	JK5	4.37	4.73	3.07	3.41	0.5	1.40	0.3	0.15
JK-mSMD550L-12	JK5	4.37	4.73	3.07	3.41	0.5	1.40	0.3	0.15
JK-mSMD600L	JK6	4.37	4.73	3.07	3.41	0.6	1.60	0.3	0.15
JK-mSMD600L-12	JK6	4.37	4.73	3.07	3.41	0.6	1.60	0.3	0.15
JK-mSMD650L	JK6	4.37	4.73	3.07	3.41	0.6	1.60	0.3	0.15
JK-mSMD650L-12	JK6	4.37	4.73	3.07	3.41	0.6	1.60	0.3	0.15
JK-mSMD700L	JK7	4.37	4.73	3.07	3.41	0.6	1.60	0.3	0.15
JK-mSMD700L-12	JK7	4.37	4.73	3.07	3.41	0.6	1.60	0.3	0.15
JK-mSMD750L	JK7	4.37	4.73	3.07	3.41	0.6	1.60	0.3	0.15
JK-mSMD750L-12	JK7	4.37	4.73	3.07	3.41	0.6	1.60	0.3	0.15
JK-mSMD800L	JK8	4.37	4.73	3.07	3.41	0.6	1.60	0.3	0.15
JK-mSMD800L-12	JK8	4.37	4.73	3.07	3.41	0.6	1.60	0.3	0.15
JK-mSMD850L	JK8	4.37	4.73	3.07	3.41	0.6	1.60	0.3	0.15
JK-mSMD850L-12	JK8	4.37	4.73	3.07	3.41	0.6	1.60	0.3	0.15
JK-mSMD900L	JK9	4.37	4.73	3.07	3.41	0.6	1.60	0.3	0.15
JK-mSMD900L-12	JK9	4.37	4.73	3.07	3.41	0.6	1.60	0.3	0.15

Recommended Solder Pad Layout Dimensions (mm)

Device	F	G	H
	Normal Value	Normal Value	Normal Value
1812 Series	1.78	3.45	3.15

Electrical Characteristics

Model	V _{MAX} (V)	I _{MAX} (A)	I _H (A)	I _T (A)	P _D (W)	Maximum Time-to-Trip		Resistance	
						Current	Time	R _{1MIN}	R _{1MAX}
						(A)	(Sec)	(Ω)	(Ω)
JK-mSMD190L	6.0	50.0	1.9	3.8	1.5	8.0	5.0	0.003	0.025
JK-mSMD190L-12	12.0	50.0	1.9	3.8	1.5	8.0	5.0	0.003	0.025
JK-mSMD260L	6.0	50.0	2.6	5.2	1.5	8.0	5.0	0.003	0.024
JK-mSMD260L-12	12.0	50.0	2.6	5.2	1.5	8.0	5.0	0.003	0.024
JK-mSMD300L	6.0	50.0	3.0	6.0	1.5	15.0	2.0	0.003	0.022
JK-mSMD300L-12	12.0	50.0	3.0	6.0	1.5	15.0	2.0	0.003	0.022
JK-mSMD350L	6.0	50.0	3.5	7.0	1.5	17.5	2.0	0.003	0.02

Shenzhen Jinrui Electronic Material Co., Ltd

TEL: +86-(0)755-26546327 29356619

Website: <http://www.jkpptc.com>

Add: Jinke Industry Park, No.310,Wuhe Road,Guanlan,Longhua District,Shenzhen,Guangdong,China.

FAX: +86-(0)755-26546562

E-mail: 1492037589@qq.com

Specifications are subject to change without notice !



JK-mSMD350L-12	12.0	50.0	3.5	7.0	1.5	17.5	2.0	0.003	0.02
JK-mSMD400L	6.0	50.0	4.0	8.0	1.8	20.0	2.0	0.003	0.018
JK-mSMD400L-12	12.0	50.0	4.0	8.0	1.8	20.0	2.0	0.003	0.018
JK-mSMD450L	6.0	50.0	4.5	9.0	1.8	22.5	2.0	0.003	0.016
JK-mSMD450L-12	12.0	50.0	4.5	9.0	1.8	22.5	2.0	0.003	0.016
JK-mSMD500L	6.0	50.0	5.0	10.0	1.8	25.0	2.0	0.003	0.014
JK-mSMD500L-12	12.0	50.0	5.0	10.0	1.8	25.0	2.0	0.003	0.014
JK-mSMD550L	6.0	50.0	5.5	11.0	1.8	27.5	2.0	0.002	0.012
JK-mSMD550L-12	12.0	50.0	5.5	11.0	1.8	27.5	2.0	0.002	0.012
JK-mSMD600L	6.0	50.0	6.0	12.0	1.8	30.0	2.0	0.002	0.010
JK-mSMD600L-12	12.0	50.0	6.0	12.0	1.8	30.0	2.0	0.002	0.010
JK-mSMD650L	6.0	50.0	6.5	13.0	1.8	32.5	2.0	0.002	0.008
JK-mSMD650L-12	12.0	50.0	6.5	13.0	1.8	32.5	2.0	0.002	0.008
JK-mSMD700L	6.0	50.0	7.0	14.0	2.0	35.0	2.0	0.001	0.007
JK-mSMD700L-12	12.0	50.0	7.0	14.0	2.0	35.0	2.0	0.001	0.007
JK-mSMD750L	6.0	50.0	7.5	15.0	2.0	37.5	2.0	0.001	0.006
JK-mSMD750L-12	12.0	50.0	7.5	15.0	2.0	37.5	2.0	0.001	0.006
JK-mSMD800L	6.0	50.0	8.0	16.0	2.0	40.0	2.0	0.0008	0.005
JK-mSMD800L-12	12.0	50.0	8.0	16.0	2.0	40.0	2.0	0.0008	0.005
JK-mSMD850L	6.0	50.0	8.5	17.0	2.2	42.5	2.0	0.0008	0.004
JK-mSMD850L-12	12.0	50.0	8.5	17.0	2.2	42.5	2.0	0.0008	0.004
JK-mSMD900L	6.0	50.0	9.0	18.0	2.2	45.0	2.0	0.0005	0.003
JK-mSMD900L-12	12.0	50.0	9.0	18.0	2.2	45.0	2.0	0.0005	0.003

Thermal Derating Chart-I_H (A)

Model	Maximum ambient operating temperature (°C)								
	-40	-20	0	25	40	50	60	70	85
JK-mSMD190L	2.76	2.47	2.22	1.90	1.63	1.46	1.31	1.18	0.95
JK-mSMD190L-12	2.76	2.47	2.22	1.90	1.63	1.46	1.31	1.18	0.95
JK-mSMD260L	3.78	3.38	3.04	2.60	2.23	2.00	1.79	1.61	1.30
JK-mSMD260L-12	3.78	3.38	3.04	2.60	2.23	2.00	1.79	1.61	1.30
JK-mSMD300L	4.35	3.90	3.51	3.00	2.58	2.31	2.07	1.86	1.50
JK-mSMD300L-12	4.35	3.90	3.51	3.00	2.58	2.31	2.07	1.86	1.50
JK-mSMD350L	5.08	4.55	4.10	3.50	3.01	2.70	2.42	2.17	1.75
JK-mSMD350L-12	5.08	4.55	4.10	3.50	3.01	2.70	2.42	2.17	1.75
JK-mSMD400L	5.80	5.20	4.68	4.00	3.44	3.08	2.76	2.48	2.00
JK-mSMD400L-12	5.80	5.20	4.68	4.00	3.44	3.08	2.76	2.48	2.00
JK-mSMD450L	6.54	5.85	5.26	4.50	3.86	3.46	3.10	2.79	2.25

Shenzhen Jinrui Electronic Material Co., Ltd

TEL: +86-(0)755-26546327 29356619

Website: <http://www.jkpptc.com>

Add: Jinke Industry Park, No.310,Wuhe Road,Guanlan,Longhua District,Shenzhen,Guangdong,China.

FAX: +86-(0)755-26546562

E-mail: 1492037589@qq.com

Specifications are subject to change without notice !



JK-mSMD450L-12	6.54	5.85	5.26	4.50	3.86	3.46	3.10	2.79	2.25
JK-mSMD500L	7.26	6.50	5.84	5.00	4.29	3.84	3.45	3.11	2.50
JK-mSMD500L-12	7.26	6.50	5.84	5.00	4.29	3.84	3.45	3.11	2.50
JK-mSMD550L	7.99	7.15	6.43	5.50	4.72	4.23	3.79	3.42	2.75
JK-mSMD550L-12	7.99	7.15	6.43	5.50	4.72	4.23	3.79	3.42	2.75
JK-mSMD600L	8.72	7.80	7.01	6.00	5.15	4.61	4.14	3.73	3.00
JK-mSMD600L-12	8.72	7.80	7.01	6.00	5.15	4.61	4.14	3.73	3.00
JK-mSMD650L	9.44	8.45	7.59	6.50	5.58	4.99	4.48	4.04	3.25
JK-mSMD650L-12	9.44	8.45	7.59	6.50	5.58	4.99	4.48	4.04	3.25
JK-mSMD700L	10.17	9.10	8.18	7.00	6.01	5.38	4.83	4.35	3.50
JK-mSMD700L-12	10.17	9.10	8.18	7.00	6.01	5.38	4.83	4.35	3.50
JK-mSMD750L	10.89	9.75	8.76	7.50	6.44	5.76	5.18	4.66	3.75
JK-mSMD750L-12	10.89	9.75	8.76	7.50	6.44	5.76	5.18	4.66	3.75
JK-mSMD800L	11.62	10.40	9.34	8.00	6.87	6.15	5.52	4.97	4.00
JK-mSMD800L-12	11.62	10.40	9.34	8.00	6.87	6.15	5.52	4.97	4.00
JK-mSMD850L	12.34	11.05	9.93	8.50	7.30	6.53	5.87	5.28	4.25
JK-mSMD850L-12	12.34	11.05	9.93	8.50	7.30	6.53	5.87	5.28	4.25
JK-mSMD900L	13.07	11.70	10.51	9.00	7.73	6.92	6.21	5.59	4.50
JK-mSMD900L-12	13.07	11.70	10.51	9.00	7.73	6.92	6.21	5.59	4.50

Test Procedures and Requirements

Test Item	Test Conditions	Accept/Reject Criteria
Initial Resistance	In still air at 25°C	$R_{iMIN} \leq R \leq R_{iMAX}$
Time to Trip	Specified current, V_{MAX} , 25°C	$T \leq$ Maximum Time to Trip
Holding Current	30min, at I_H , 25°C	No trip
Trip Cycle Life	V_{MAX} , I_{MAX} , 100 cycles	No arcing or burning
Trip Endurance	V_{MAX} , I_{MAX} , 1 hour	No arcing or burning

Physical Characteristics

Terminal Materials	Tin-Plated Nickle-copper
Soldering Zone	Meets EIA specification RS 186-9E and ANSI/J-STD-002 Category 3.
Moisture Sensitivity	Level 2a, per IPC/JEDEC J-STD 020C

Shenzhen Jinrui Electronic Material Co., Ltd

TEL: +86-(0)755-26546327 29356619

Website: <http://www.jkpptc.com>

Add: Jinke Industry Park, No.310,Wuhe Road,Guanlan,Longhua District,Shenzhen,Guangdong,China.

Specifications are subject to change without notice !

FAX: +86-(0)755-26546562

E-mail: 1492037589@qq.com

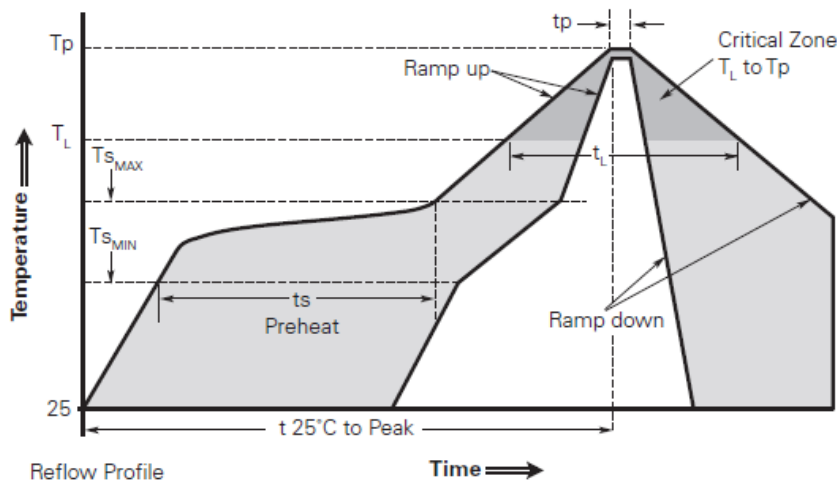
Environmental Specifications

Test Item	Test Conditions	Resistance Change
Passive Aging	85°C, 1000 hours	±10% typical
Humidity Aging	85°C/85%RH, 100 hours	±5% typical
Thermal Shock	MIL-STD-202, Method 107G +85°C/-40°C, 20 times	-30% typical
Solvent Resistance	MIL-STD-202, Method 215	No change
Vibration	ML-STD-883C, Test Condition A	No change

Electrical Specifications

I_H =Hold current: Maximum current at which the device will not interrupt in 25°C still air.
 I_T =Trip current: Minimum current at which the device from low resistance to high resistance in 25°C still air.
 V_{MAX} =Maximum continuous voltage device can withstand without damage at rated current.
 I_{MAX} =Maximum fault current device can withstand without damage at rated voltage.
 Maximum Time-to-trip: Maximum time to trip at assigned current.
 P_D =Typical power dissipation: Typical amount of power dissipated from the device when in 25°C still air environment.
 R_{iMIN} =Minimum resistance of device at 25°C prior to tripping.
 R_{1MAX} = Maximum device resistance is measured one hour post reflow.

Solder Reflow Profiles



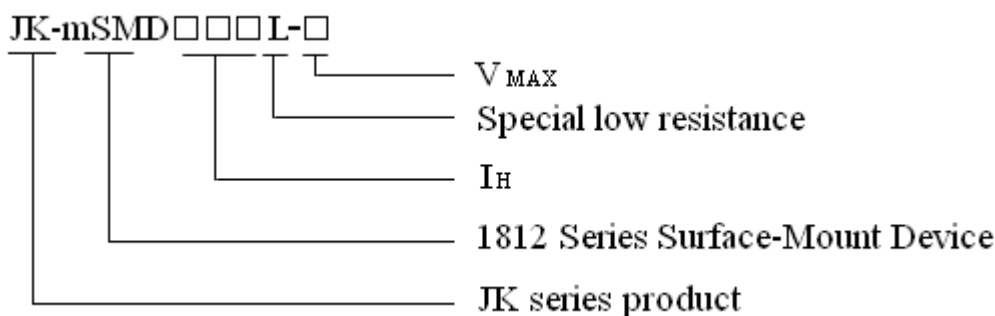
Profile Feature	Pb-Free Assembly
Average ramp up rate($T_{S_{MAX}}$ to T_p)	3°C/second max.
Preheat	
● Temperature min.($T_{S_{MIN}}$)	150°C
● Temperature max.($T_{S_{MAX}}$)	200°C
● Time ($T_{S_{MIN}}$ to $T_{S_{MAX}}$)	60-120 seconds
Time maintained above:	
● Temperature (T_L)	217°C
● Time (T_L)	60-150 seconds
Peak/Classification temperature (T_p)	260°C
Time within 5°C of actual peak temperature	
Time (T_p)	30 seconds max.
Ramp down rate	3°C/second max.
Time 25°C to peak temperature	8 minutes max.

- Recommended reflow methods: IR, vapor phase oven, hot air oven, N2 environment for lead-free.
- Devices are not designed to be wave soldered to the bottom side of the board.
- Recommended maximum paste thickness is 0.25mm (0.010inch).
- Devices can be cleaned using standard industry methods and solvents.

Note 1: All temperature refer to topside of the package,measured on the package body surface.

Note 2: If reflow temperature exceed the recommended profile,devices may not meet the performance requirements.

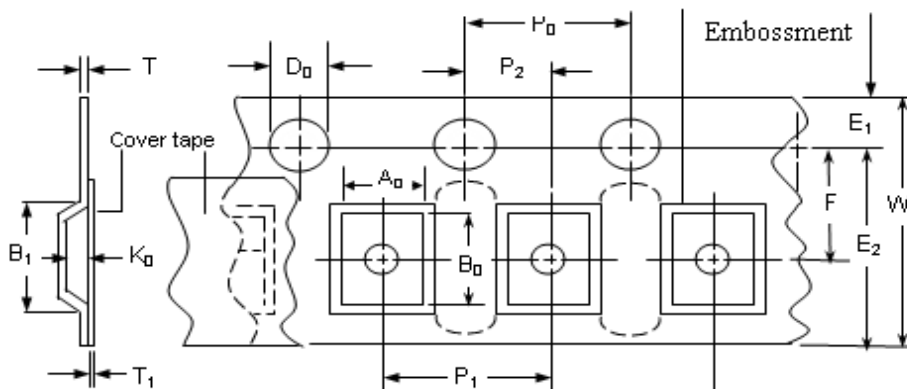
Part Numbering System



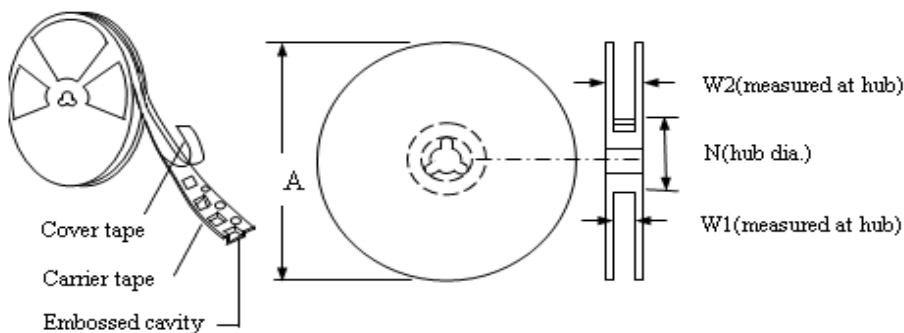
Tape Specifications and Reel Dimensions

Covering Specifications	
EIA 481-1	
W	12.0 + 0.3/-0
P ₀	4.0 ± 0.1
P ₁	8.0 ± 0.1
P ₂	2.0 ± 0.1
A ₀	3.5 ± 0.1
B ₀	4.9 ± 0.1
D ₀	1.5 + 0.1/-0
F	5.5 ± 0.05
E ₁	1.75 ± 0.1
T	0.3 ± 0.1
Leader min.	390
Trailer min.	160
Reel Dimensions	
A	178 ± 1
N	59 ± 1
W ₁	8.5 + 1.0/-0.2
W ₂	12.0 ± 1

EIA Tape Component Dimensions



EIA Reel Dimensions



Packaging Quantity

Model	Quantity	Model	Quantity
JK-mSMD190L	2000	JK-mSMD550L-12	1500
JK-mSMD190L-12	2000	JK-mSMD600L	1500
JK-mSMD260L	2000	JK-mSMD600L-12	1500
JK-mSMD260L-12	2000	JK-mSMD650L	1500
JK-mSMD300L	2000	JK-mSMD650L-12	1500
JK-mSMD300L-12	2000	JK-mSMD700L	1500
JK-mSMD350L	2000	JK-mSMD700L-12	1500
JK-mSMD350L-12	2000	JK-mSMD750L	1500
JK-mSMD400L	2000	JK-mSMD750L-12	1500
JK-mSMD400L-12	2000	JK-mSMD800L	1500
JK-mSMD450L	2000	JK-mSMD800L-12	1500
JK-mSMD450L-12	2000	JK-mSMD850L	1500



JK-mSMD500L	1500	JK-mSMD850L-12	1500
JK-mSMD500L-12	1500	JK-mSMD900L	1500
JK-mSMD550L	1500	JK-mSMD900L-12	1500

Storage

The maximum ambient temperature shall not exceed 40°C. Storage temperatures higher than 40°C could result in the deformation of packaging materials. The maximum relative humidity recommended for storage is 70%. High humidity with high temperature can accelerate the oxidation of the solder plating on the termination and reduce the solderability of the components. Sealed plastic bags with desiccant shall be used to reduce the oxidation of the termination and shall only be opened prior to use, the products shall not be stored in areas where harmful gases containing sulfur or chlorine are present.

Warning

- Please read this specification before using the product.
- Use PPTC beyond the maximum ratings or improper use may result in device damage, electrical arcing and flame.
- PPTC are intended for protection against occasional over current or over temperature fault conditions and should not be used when repeated fault conditions or prolonged trip events are anticipated.
- Device performance can be impacted negatively if devices are handled in a manner inconsistent with recommended electronic, thermal, and mechanical procedures for electronic components.
- Use PPTC with a large inductance in circuit will generate a circuit voltage above the rated voltage of the PPTC.
- Avoid impact PPTC device its thermal expansion like placed under pressure or installed in limited space.
- Contamination of the PPTC material with certain silicon based oils or some aggressive solvents can adversely impact the performance of the devices. PPTC can be cleaned by standard methods.
- Requests that customers comply with our recommended solder pad layouts and recommended reflow profile. Improper board layouts or reflow profile could negatively impact solderability performance of our devices.

Notes

The specification is intended to present application product and technical data to assist the user in selecting PPTC circuit production devices, However, users should independently evaluate and test the suitability of each product. Jinrui makes no warranties as to the accuracy or completeness of the information and disclaims any liability resulting from its use, Jinrui's only obligations are those in the Jinrui Standard Terms and Conditions of Sale and in no case will Jinrui be liable for any incidental, indirect, or consequential damages arising from the sale, resale, or misuse of its products. Jinrui reserves the right to change or update any information contained in this specification without notice.